



ATOMIS

Evolo-L

Evolo-L is an elegant, slim LED luminaire fitted with a row of mid-power LEDs, each with its own lens and louvre.

CATEGORY

Baffle luminaires

MOUNTING

Ceiling-mounted

IP CLASS

IP20 (naar boven)/IP40 (naar beneden)

COLOUR TEMPERATURE

Tunable White, 2700K, 3000K, 3500K, 4000K

CRI

CRI80, CRI90, CRI97

UGR

UGR kleiner dan 19

Introduction

Evolu-L is an elegant, slim LED luminaire fitted with a row of mid-power LEDs, each with its own lens and louvre.

With the Evolu-L, you choose architectural lighting that unites design and light quality. Designed for hospitality, office, education, public spaces, the luminaire integrates neatly into the design and delivers comfortable, considered light. Thanks to its thoughtful detailing and high-quality finish, it is a choice that lasts for years — and makes your project look better.

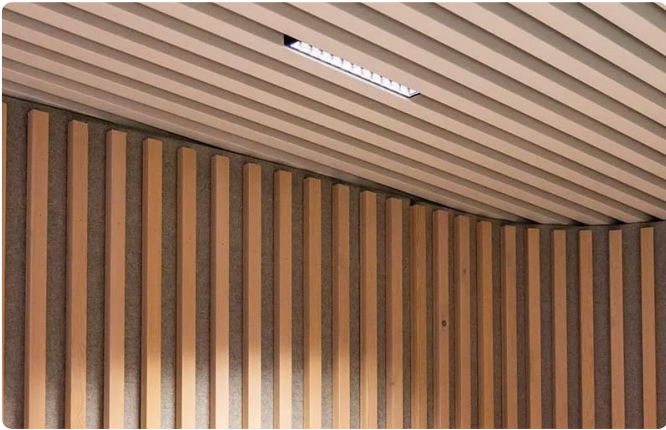
Technical specifications

Mounting	Ceiling-mounted
Application	Hospitality, Office, Education, Public spaces
Material	Steel
Optics	Lens and louvre
UGR	UGR kleiner dan 19
IP class	IP20 (naar boven)/IP40 (naar beneden)
CRI	CRI80, CRI90, CRI97
CCT	Tunable White, 2700K, 3000K, 3500K, 4000K
Control	1-10V dimmable, Casambi dimmable, DALI dimmable, Optional
Emergency lighting	1-hour emergency power, Optional, Optional 1-hour autonomy self-test
Efficiency	>130lm/W
Photobiological safety	IEC 62471: RG1 (low risk)
Insulation class	Class II
Power factor	>0.9
Ambient temperature	-20°C / +40°C
Options	Elegant slank lijnvormig armatuur voor lineaire paneelplafonds.
Brand	Atomis
Category	Baffle luminaires

Product photos

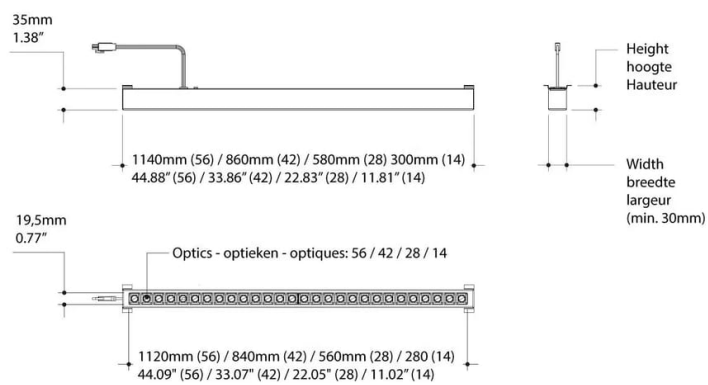
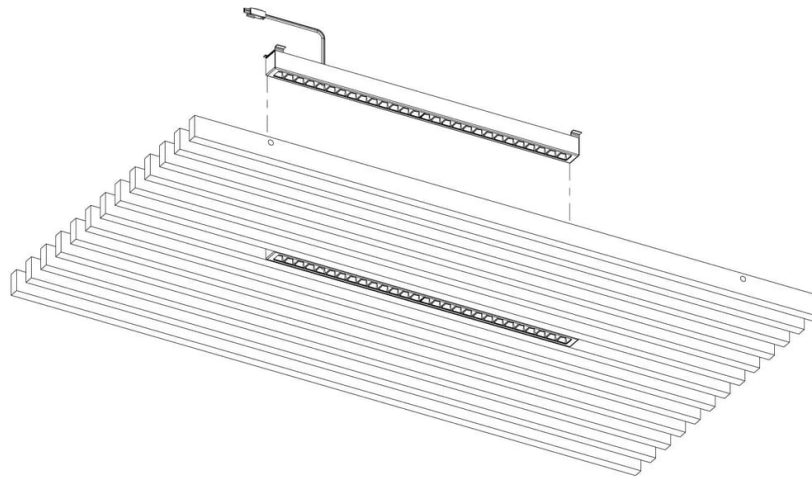
Atmosphere and product images — technical drawings are on a separate page





Technical drawings

Dimensions and line art — not to scale



Photometric drawing

Photometric drawing

Specification text

Evolu-L is an elegant, slim LED luminaire fitted with a row of mid-power LEDs, each with its own lens and louvre. The luminaire is specially designed for use in linear panel ceilings. This makes Evolu-L suitable for projects where slim ceiling integration, controlled light distribution and an architectural appearance come together.

Information

Note

Specifications depend on the project and configuration. Always consult the current technical documentation.

This datasheet is compiled from structured product information based on XML source data and the current source page. Specifications may vary per project configuration.

Atomis Architectural Lighting · atomislighting.com · The Netherlands

Generated on 10 July 2026