



ATOMIS

# Linterna-B

A linear luminaire with a parabolic batwing louvre for use in climate and metal ceilings.

CATEGORY

**Grid ceiling luminaires**

MOUNTING

**Recessed mounting**

IP CLASS

**IP20 (naar boven)/IP40 (naar beneden)**

COLOUR TEMPERATURE

**Tunable White, 2700K, 3000K, 3500K, 4000K**

CRI

**CRI80, CRI90**

UGR

**UGR kleiner dan 19**

## Introduction

A linear luminaire with a parabolic batwing louvre for use in climate and metal ceilings.

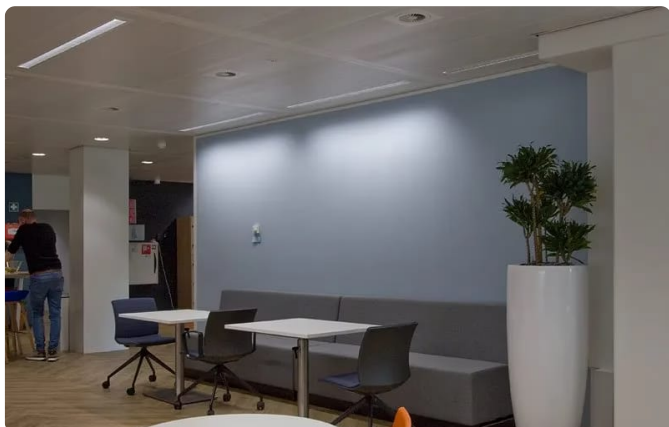
With the Linterna-B, you choose architectural lighting that unites design and light quality. Designed for hospitality, office, education, public spaces, the luminaire integrates neatly into the design and delivers comfortable, considered light. Thanks to its thoughtful detailing and high-quality finish, it is a choice that lasts for years — and makes your project look better.

## Technical specifications

Mounting	<b>Recessed mounting</b>
Application	<b>Hospitality, Office, Education, Public spaces</b>
Material	<b>Steel</b>
Optics	<b>Parabolic louvre</b>
UGR	<b>UGR kleiner dan 19</b>
IP class	<b>IP20 (naar boven)/IP40 (naar beneden)</b>
CRI	<b>CRI80, CRI90</b>
CCT	<b>Tunable White, 2700K, 3000K, 3500K, 4000K</b>
Control	<b>1-10V dimmable, Casambi dimmable, DALI dimmable, Optional</b>
Emergency lighting	<b>1-hour emergency power, Optional, Optional 1-hour autonomy self-test</b>
Efficiency	<b>&gt;140lm/W</b>
Photobiological safety	<b>IEC 62471: RG1 (low risk)</b>
Insulation class	<b>Class II</b>
Power factor	<b>&gt;0.9</b>
Ambient temperature	<b>-20°C / +40°C</b>
Options	<b>Batwing-louver design maakt grotere armatuurafstanden mogelijk met behoud van een goede uniformiteit.</b>
Brand	<b>Atomis</b>
Category	<b>Grid ceiling luminaires</b>

## Product photos

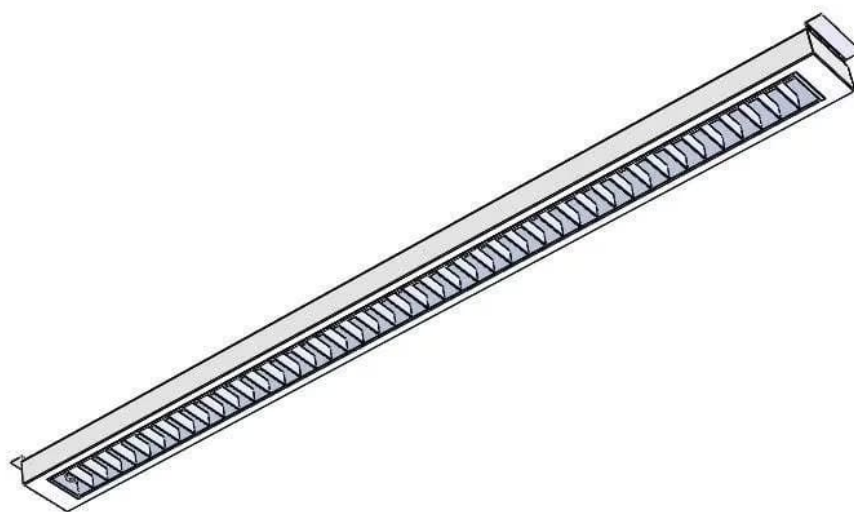
Atmosphere and product images — technical drawings are on a separate page



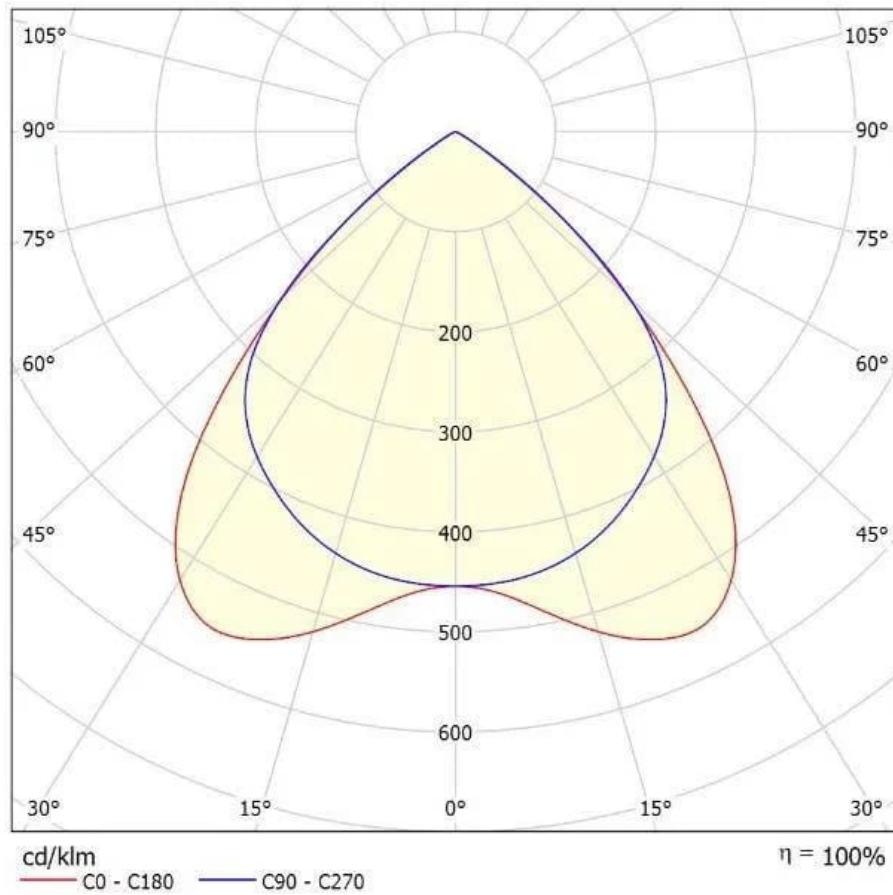


## Technical drawings

Dimensions and line art — not to scale



Photometric drawing



Photometric drawing

## Specification text

Linterna-B is a linear luminaire with a parabolic batwing louvre for use in climate and metal ceilings. The batwing louvre design supports large luminaire spacings while maintaining good uniformity. This makes Linterna-B suitable for project applications where a controlled light effect, low glare and ceiling integration come together.

## Information

### Note

Specifications depend on the project and configuration. Always consult the current technical documentation.

This datasheet is compiled from structured product information based on XML source data and the current source page. Specifications may vary per project configuration.

---

Atomis Architectural Lighting · atomislighting.com · The Netherlands

Generated on 9 July 2026