



FUSION EASY-KLIMAPLUS

Fusion Easy-KlimaPlus, a linear luminaire for use in Interalu Easy-KlimaPlus climate ceilings with a prismatic lens or an opal diffuser. This LED luminaire was developed as an alternative to T5 linear fluorescent luminaires for use in both renovation and new construction projects

- Seamlessly integrates into Interalu Easy-KlimaPlus metal ceilings
- Architectural appearance
- Equipped with a prismatic lens (UGR < 19) or an opal diffuser<

Downloads

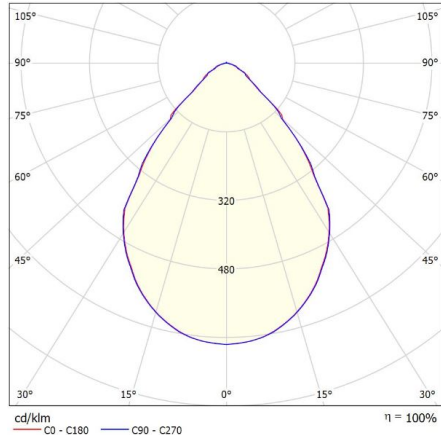
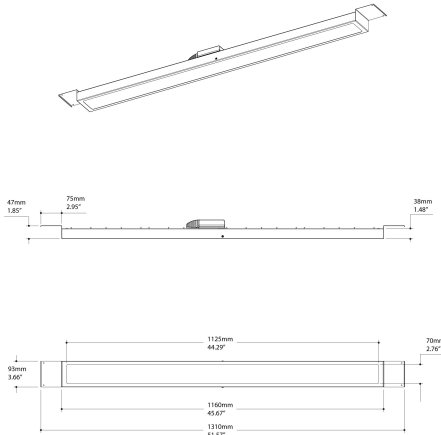
[Photometrics Fusion-EKP](#)

Create your own custom made product, download the PDF specsheet or add to quote:

Categories: [Climate ceiling fixtures](#)



PRODUCT IMAGES



Glare Evaluation According to UGR

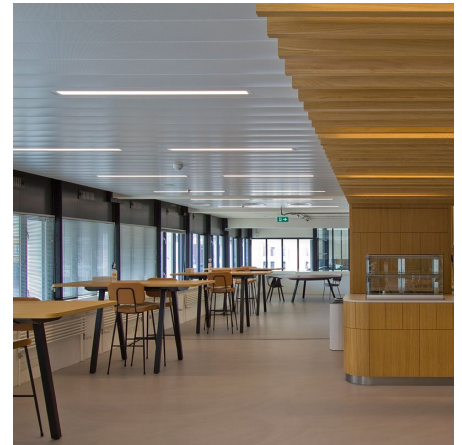
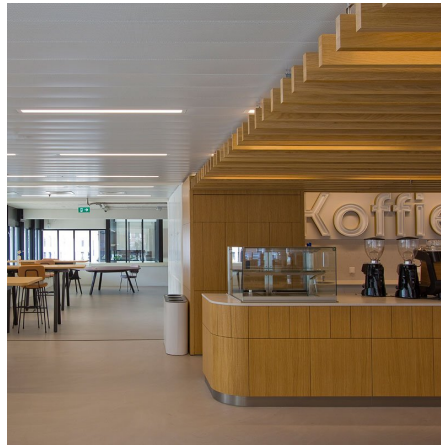
		70	70	50	50	30	70	70	50	50	30
p Ceiling		50	30	50	30	30	50	30	50	30	30
p Walls		20	20	20	20	20	20	20	20	20	20
p Floor		20	20	20	20	20	20	20	20	20	20
Room Size	Viewing direction at right angles to lamp axis	Viewing direction parallel to lamp axis									
X	Y										
2H	2H	17.3	18.2	17.6	18.4	18.7	17.2	18.2	17.5	18.4	18.6
	3H	17.6	18.4	17.9	18.7	19.0	17.6	18.4	17.9	18.7	18.9
	4H	17.8	18.6	18.1	18.9	19.1	17.8	18.6	18.1	18.8	19.1
	6H	17.9	18.6	18.2	18.9	19.2	17.9	18.6	18.2	18.9	19.2
	8H	17.9	18.6	18.3	18.9	19.3	17.9	18.6	18.3	18.9	19.2
4H	2H	18.0	18.6	18.3	18.9	19.3	17.9	18.6	18.3	18.9	19.2
	3H	17.3	18.1	17.6	18.4	18.7	17.3	18.1	17.6	18.3	18.6
	4H	17.8	18.4	18.2	18.8	19.1	17.8	18.4	18.1	18.8	19.1
	6H	18.1	18.6	18.5	19.0	19.4	18.1	18.6	18.5	19.0	19.4
	8H	18.3	18.8	18.7	19.1	19.5	18.3	18.7	18.7	19.1	19.5
8H	2H	18.3	18.8	18.8	19.2	19.6	18.3	18.7	18.7	19.1	19.6
	3H	18.4	18.8	18.8	19.2	19.6	18.3	18.7	18.8	19.2	19.6
	4H	18.1	18.6	18.6	19.0	19.4	18.1	18.6	18.6	19.0	19.4
	6H	18.4	18.7	18.8	19.2	19.6	18.4	18.7	18.8	19.1	19.6
	8H	18.5	18.8	18.9	19.2	19.7	18.4	18.7	18.9	19.2	19.7
12H	4H	18.1	18.5	18.6	18.9	19.4	18.1	18.5	18.5	18.9	19.4
	6H	18.4	18.7	18.8	19.1	19.6	18.3	18.6	18.8	19.1	19.6
	8H	18.5	18.7	18.9	19.2	19.7	18.4	18.7	18.9	19.2	19.7

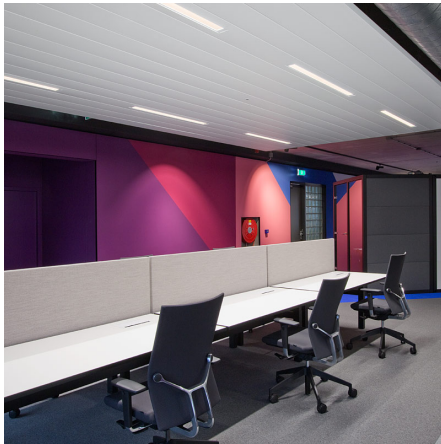
Variation of the observer position for the luminaire distances S

S = 1.0H	+1.2 / -1.7	+1.1 / -1.6
S = 1.5H	+2.3 / -2.1	+2.4 / -1.9
S = 2.0H	+3.8 / -2.8	+3.9 / -2.9

Standard table: BK02
Correction Summand: 0.4

Corrected glare indices referring to 3626lm Total Luminous Flux





Fusion Easy-KlimaPlus, a linear luminaire for use in Interalu Easy-KlimaPlus climate ceilings with a prismatic lens or an opal diffuser. This LED luminaire was developed as an alternative to T5 linear fluorescent luminaires for use in both renovation and new construction projects

- Seamlessly integrates into Interalu Easy-KlimaPlus metal ceilings
- Architectural appearance
- Equipped with a prismatic lens (UGR < 19) or an opal diffuser<

Downloads

[Photometrics Fusion-EKP](#)

Create your own custom made product, download the PDF specsheet or add to quote:

NOTES

ADDITIONAL INFORMATION

Color temperature	Tunable White, 2700K
Driver position	Loose driver
Kleurconsistentie (SDCM)	SDCM=3
Ambient temperature	-20°C / +40°C
Product Color	On request, RAL9010 mat, RAL9010 mat structuur, RAL9011 mat, RAL9011 mat structuur, RAL9016 mat, RAL9016 mat structuur
Photobiological safety	IEC 62471: RG1 (low risc)
Lighting control	1-10V dimming, Casambi dimming, DALI dimming, Optional
Emergency lighting	1 hour emergency power, Optional, Optional 1 hour autonomy self-test
Primary connections	GST18i3, GST18i5 pastelblauw, Kabel, On the driver
Application	Education, Hospitality, Office, Public spaces
Luminaire efficacy	>133lm/W
Material	Acrylic, Polycarbonate, Steel
Product family	Fusion
Insulation Class	Class II
Color Rendering Index (CRI)	CRI80, CRI90
Expected lifespan	L90B50@60,000h (Tq 25°C)
Optics	Microprismatic lens, Opalen diffusor
Oriëntatie	Down
Power factor	>0.9
Shape	Rectangular
Product Confirmation	Recessed
Energy Rating	

