



## EVOLO FELT

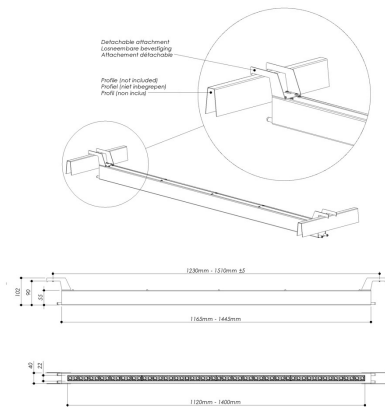
Evolo Felt, a linear LED luminaire equipped with a series of mid-power LEDs, each with an individual lens and louver, designed for modular felt louver ceiling systems such as the [Hunter Douglas Heartfelt® Modular Felt Ceiling System](#), [Inteco Pareaulux Heartfelt](#) or [Integra Feltline](#).

- Excellent low glare (UGR< 19) for task lighting according to EN-12.464/1 for office use
- Available in various textured powder coatings

**Categories:** [Baffle luminaires](#)



## PRODUCT IMAGES



EvoLo Felt, a linear LED luminaire equipped with a series of mid-power LEDs, each with an individual lens and louver, designed for modular felt louver ceiling systems such as the [Hunter Douglas Heartfelt® Modular Felt Ceiling System](#), [Inteco Pareaulux Heartfelt](#) or [Integra Feltline](#).

- Excellent low glare (UGR < 19) for task lighting according to EN-12.464/1 for office use
- Available in various textured powder coatings

**NOTES**

---

---

---

---

---

---

---

**ADDITIONAL INFORMATION**

<b>Air extraction</b>	N/A
<b>Armaturefficiëntie</b>	>130lm/W
<b>Bevestiging</b>	ceiling mounting
<b>CIE Flux code</b>	93 100 100 100 100
<b>Driver positie</b>	Attached to the fixture, Loose driver
<b>Energielabel</b>	A++
<b>Family</b>	Evolo
<b>Photobiological safety</b>	IEC 62471: RG1 (low risc)
<b>Glare (UGR)</b>	<19
<b>IP-class</b>	IP20 (upwards)/IP40 (downwards)
<b>Isolatieklasse</b>	Class II
<b>Kleurconsistentie (SDCM)</b>	SDCM=3
<b>Kleurtemperatuur</b>	Tunable White, 2700K, 3000K, 3500K, 4000K
<b>Color Rendering Index (CRI)</b>	CRI97, CRI90, CRI80
<b>Light control</b>	1-10V dimming, Casambi dimming, DALI dimming, Optional
<b>Luchtafzuiging</b>	n.v.t.
<b>Material</b>	Steel
<b>Emergency lighting</b>	1 hour emergency power, Optional, Optional 1 hour autonomy self-test
<b>Ambient temperature</b>	-20°C / +40°C
<b>Optics</b>	Lens en louver
<b>Oriëntatie</b>	Down
<b>Packaging dimensions</b>	Bulk packaging
<b>Powerfactor</b>	>9
<b>Primaire aansluitingen</b>	BST 14i2, Europlug, On request, GST18i3, GST18i5 pastelblauw, On the driver
<b>Productkleur</b>	On request
<b>Producttoepassing</b>	Education, Hospitality, Office, Public spaces
<b>Self-adhesive dust cover</b>	Optional
<b>Verpakkingsafmetingen</b>	Bulkverpakking
<b>Verwachte levensduur</b>	L90B50@60,000h (Tq 25°C)

<b>Voltage / frequentie</b>	220-240V, 50 / 60Hz
<b>Shape</b>	Rectangular
<b>Zelfklevende stofkap</b>	Optioneel

## LDT / PHOTOMETRICS DOWNLOADS

### LDT / Photometrics downloads

All downloads can be found centrally per family at

<https://atomis.nl/ldt-photometrics/>